



IC Rated up to 350mm insulation

www.belllighting.co.uk

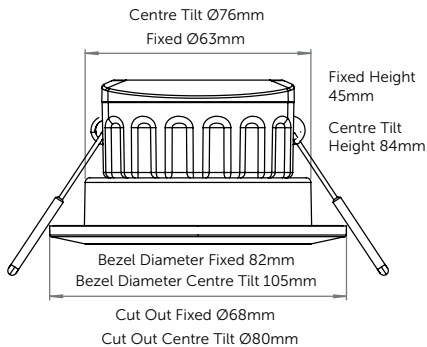
Integrated LED Fixed / Centre Tilt Downlight

Our flagship downlight has received a major facelift for 2024! The Firestay CCT now includes a 4-way colour switch and 2-way wattage switch as standard. With an upgraded 10-year warranty, the new Firestay CCT is truly a fit and forget market leading downlight

- Firestay Certification: 30, 60 and 90 minute solid joist ceilings, 30 minute I-Joist & Metal Web ceiling systems
- IP65
- Front CCT/Wattage switch
- 8 in 1 Fixture, 4 colour temperatures, 2 wattages
- Includes white magnetic bezels
- Part B / C / E compliant
- IC rated up to 350mm insulation
- 60° beam angle
- Fixed Screw Terminal & Lever Tool-Free Terminal options
- Spacer plate options available



LMR80: Maximum 20% of lumen depreciation over rated hours.
 B10: Maximum 10% of fittings failure rate over rated hours



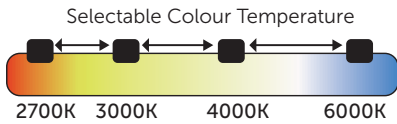
Wattage Selected	Colour Temp (K) Selected	Lumens (lm)	Candelas (cd)
5W	2700	570	550
	3000	590	550
	4000	635	580
	6000	625	615
7W	2700	745	640
	3000	775	670
	4000	830	720
	6000	820	715

FirestayLED

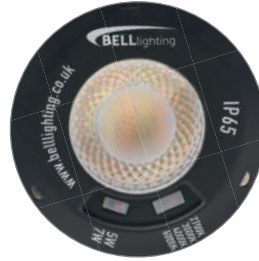
CCT 4 colour / 2 wattage switchable

Integrated LED Fixed / Centre Tilt Downlight

The Firestay LED CCT has an easily accessible colour selectable switch located under the bezel on the front of the downlights. Simply move the switch to select your colour temperature option.



Simply slide the easily accessible colour temperature and wattage switches located under the magnetic bezel to your desired wattage and colour temperature



Fixed Screw Terminal



Lever Tool-Free Terminal

Technical Specification

Construction	Die-Cast Aluminium
Driver	On Board
LED Chip	Epistar
IP Rating	IP65
Operating Temp	-5°C to +35°C
Input Voltage	220 - 240V
Power Factor	> 0.9
CRI	85 - Exceeds EU standard of Ra 80 for Colour Rendering Index
LMR	80 - Exceeds EU standard of 70 for Lumens Maintenance Ratio

Code	Description	Colour Temperature	Lm	Cd	Beam ⁰	Hrs
08187V2	5/7W Firestay LED CCT 4 Way Selectable Colour Switch Downlight Dimmable, Plug & Play, 60° Beam Angle. Fixed Screw Terminal	2700/3000 4000/6000K	570-830	550-720	60°	50000
10510V2	5/7W Firestay LED CCT 4 Way Selectable Colour Switch Downlight Dimmable, Plug & Play, 60° Beam Angle. Lever Tool-Free Terminal	2700/3000 4000/6000K	570-830	550-720	60°	50000
10565	Satin Magnetic Bezel for above	-	-	-	-	-
10560	Chrome Magnetic Bezel for above	-	-	-	-	-
10561	Brass Magnetic Bezel for above	-	-	-	-	-
10562	Antique Brass Magnetic Bezel for above	-	-	-	-	-
10563	Matt Black Magnetic Bezel for above	-	-	-	-	-
10564	White Magnetic Bezel for above	-	-	-	-	-
08193	White Spacer Plate for above (100mm cut out)	-	-	-	-	-
08194	Satin Spacer Plate for above (100mm cut out)	-	-	-	-	-
08196	Emergency Pack for above	-	-	-	-	-
10803	Smart Universal LED Trailing/Leading Edge Dimmer Module	-	-	-	-	-
08190V2	7W Firestay CCT 4 Way Selectable Colour Switch Center Tilt LED Downlight, Dimmable, Plug & Play, 40° Beam Angle. Screw Fix Termination	3/4/6000K	550-600	660	40°	50000
08200	Chrome Magnetic Bezel for above	-	-	-	-	-
08201	Brass Magnetic Bezel for above	-	-	-	-	-
08202	Antique Brass Magnetic Bezel for above	-	-	-	-	-
08203	Matt Black Magnetic Bezel for above	-	-	-	-	-
08196	Emergency Pack for Firestay LED Downlights	-	-	-	-	-
10803	Smart Universal LED Trailing/Leading Edge Dimmer Module	-	-	-	-	-

Emergency versions must be tested in line with the requirements of BS5266, failure to do so may effect battery life and warranty.

¹ Exceeds EU standard of 70 for Lumens Maintenance Ratio

² Exceeds EU standard of RA 80 for Colour Rendering Index

³ Subject to terms & conditions (Contact Customer Service)